

### Bushing Data:

Rated Voltage	245	kV
Phase to-earth Voltage	170	kV
Dry Lightning Impulse I, 2/50µs	750	kV
Wet Switching Impulse	525	kV
Wet Power frequency AC	330	kV
Routine test Imin dry 50Hz	365	kV
Rated Current	5000	A
Creepage Distance	4795	mm
Mass	435	kg

### Ordering Data:

**BUSHING** COLOUR AIR INSULATOR  
 LF121059 -C / -AC BROWN / LIGHT GREY

**OUTER TERMINAL**

LF170 073-A Al	H2 (mm)	D2 (mm)
LF170 073-B Cu	125	60
LF170 073-G Cu/Ag	125	60
OTHER TYPES ON REQUEST	125	60

**END-SHIELD**

LF170 046-U EPOXY INSULATED  
 LF170 046-UP INSULATED WITH 3 mm PRESSBOARD

**DRAW ROD SYSTEM**

LF170 059 LOWER DRAW ROD WITH NI=4 OR NI=6  
 LF170 057 UPPER DRAW ROD

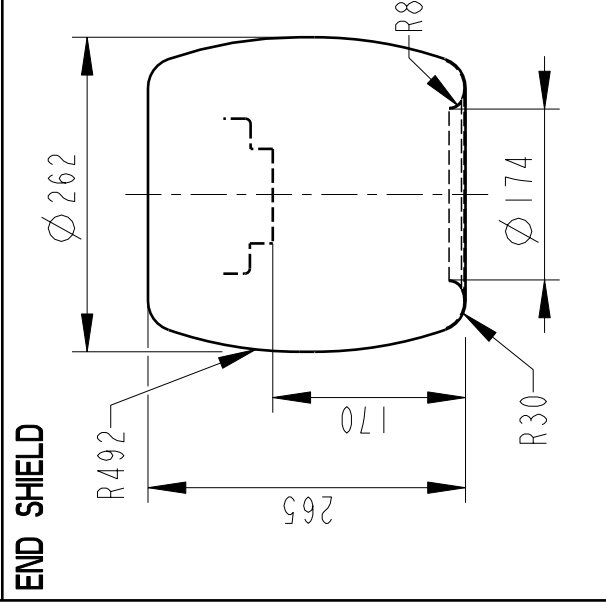
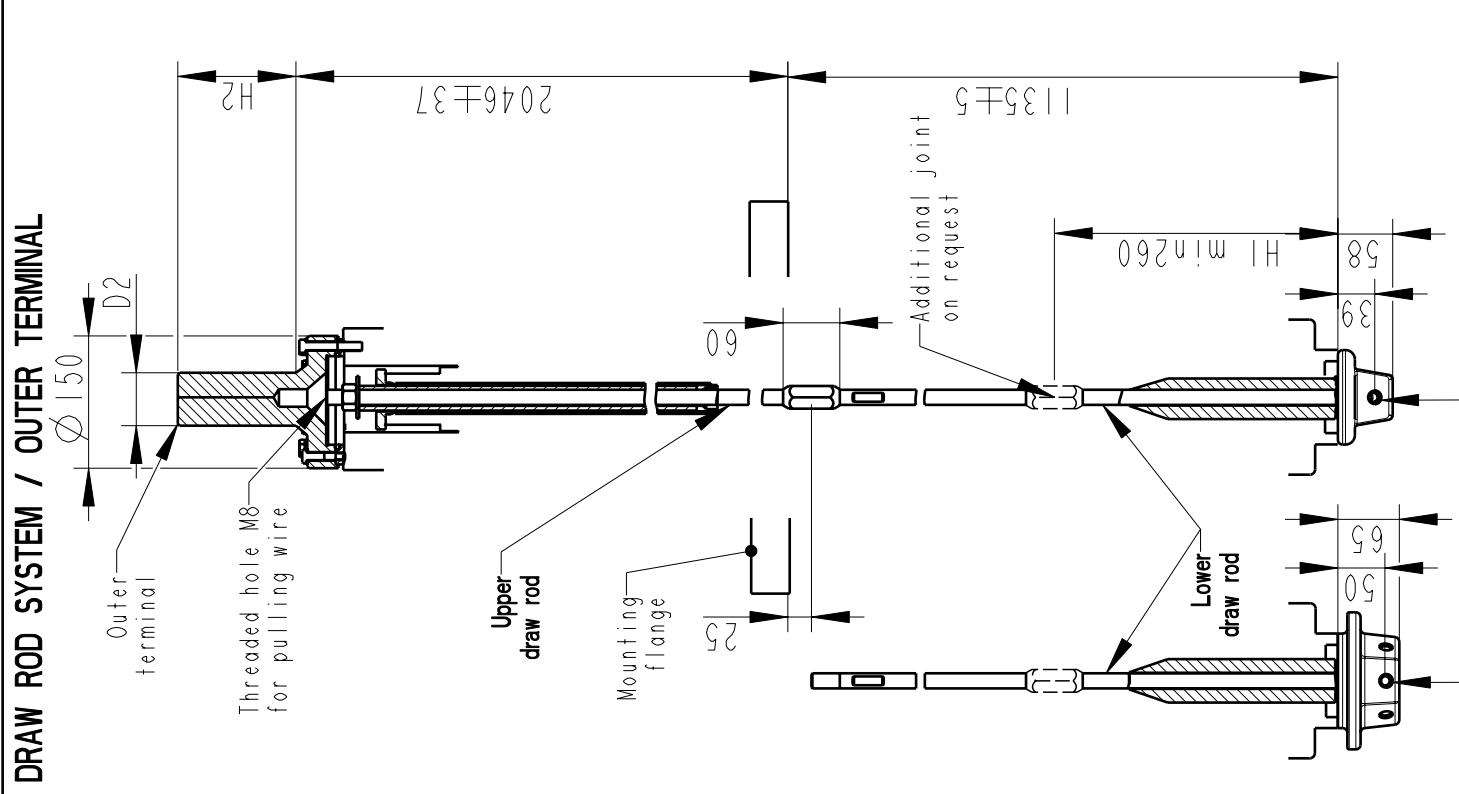
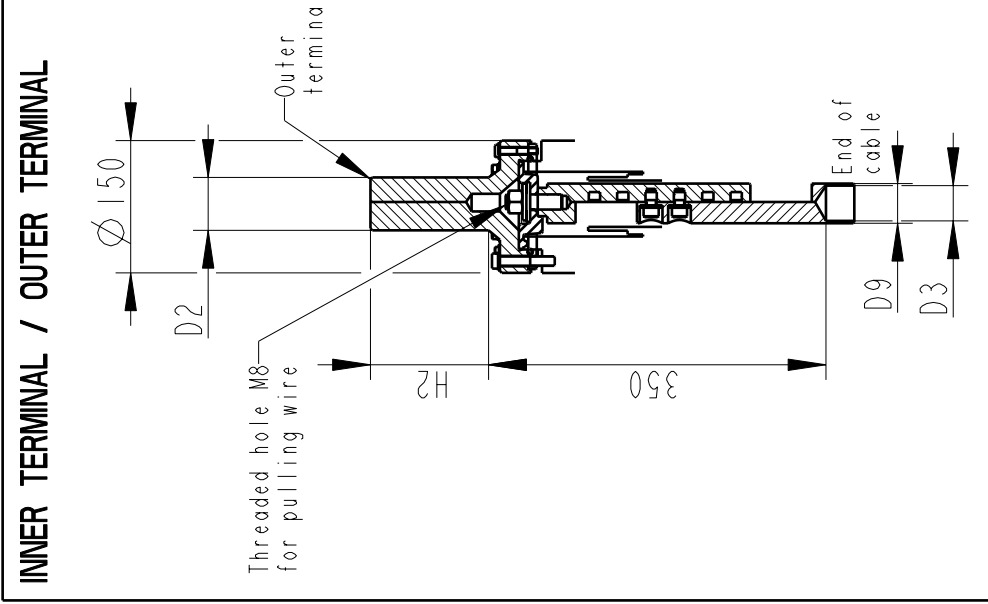
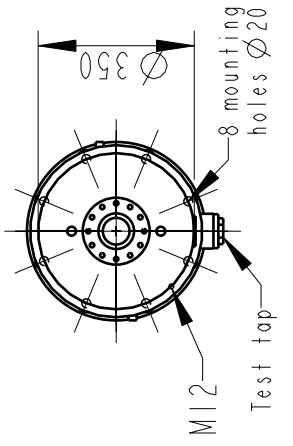
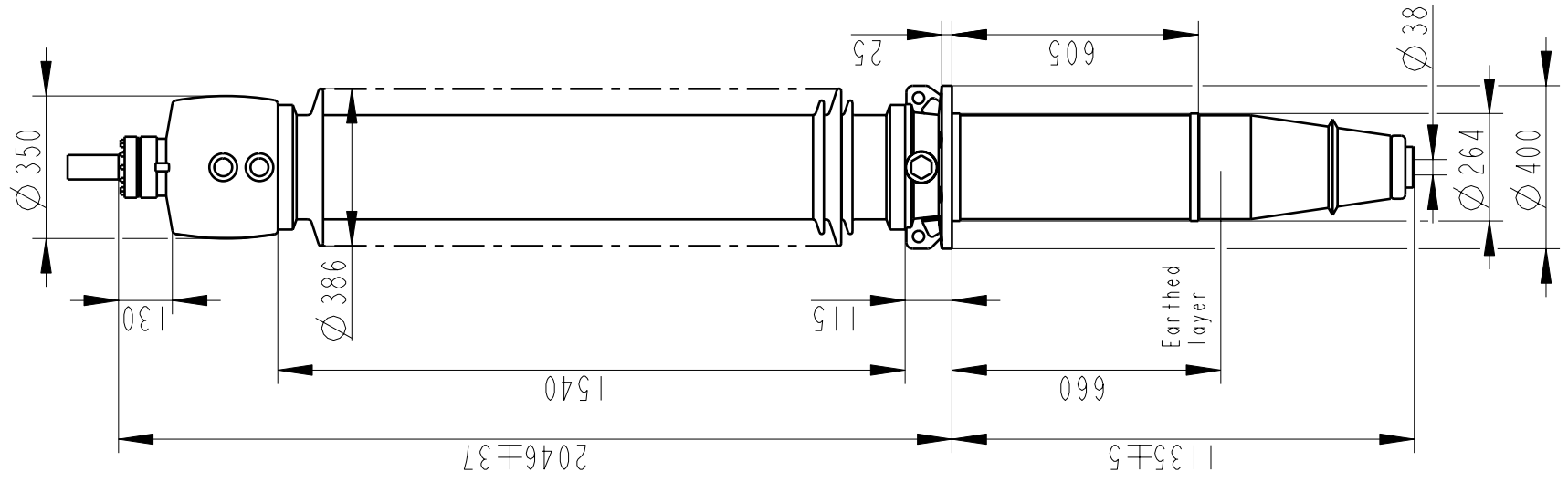
**INNER TERMINAL**

D3 (mm)	D9 (mm)	Cond. area (mm <sup>2</sup> )	Current (A)	IEEC	IEEE
LF170 056-A O*)	35	-	-	-	-
LF170 056-B	15	95	390	390	370
LF170 056-C	30	35	285	1000	830

\*) WITH PILOT HOLE D=5

**ABB Components** Lutha, Sweden

No.	kV	A	50/60 Hz
U	kV	SI	kV AC
M	kg	L	mm D
C1	pF	Tanδ	;
C2	pF	Tanδ	;



NI=Number of holes M12, equipped with thread insert with screw lock, depth 20, for cable lugs.

Based on	Reg. No.	Title
Prepared	Responsible department	GOE-750-600-5000-0.6
Lövnord	COM/BK 0022	
Approved	Take over department	
Johansson	Database	
Design engineering review		
Gutman		
ABB ABB Components		Document No. 2751369-73